

Aircraft Push-Back System Cable P/N 41035G-04

INSTALLATION SHEET

The aircraft push-back cable is used to interface between a Gateway Wireless System and the Aircraft Intercom Systems. One end of the cable connects to the Push-Back Gateway U9920-GPB (P/N 40993G-01) or U9920-GPB(EU) (P/N 40993G-02) and the other end connects to the aircraft input port.

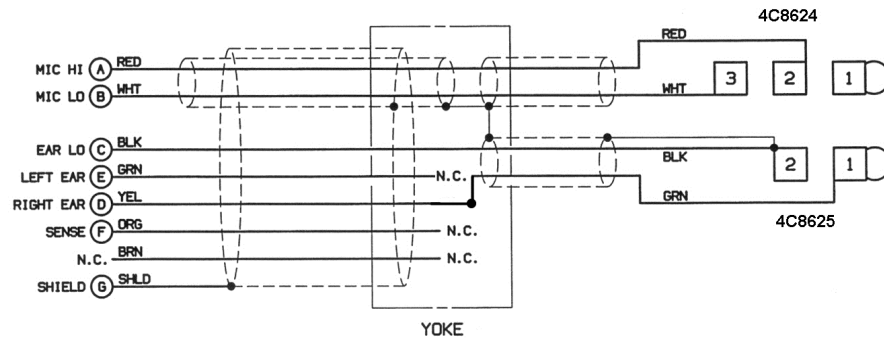
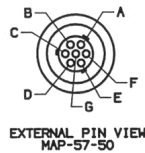


Figure 1: Cable Schematic (41035G-04)